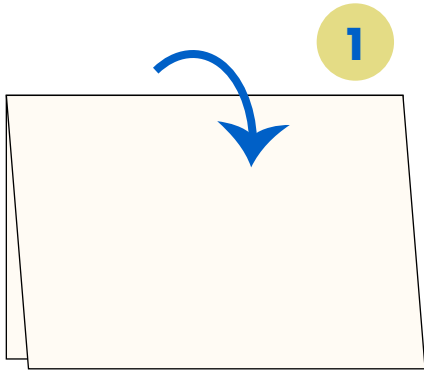
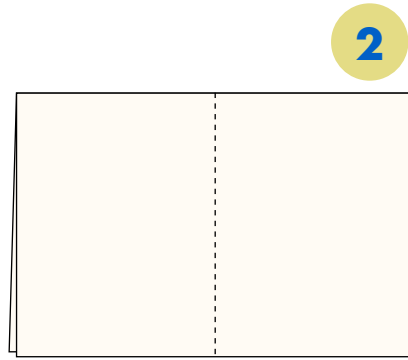


HOW TO MAKE THE "NO HFO!" PAPER BOAT

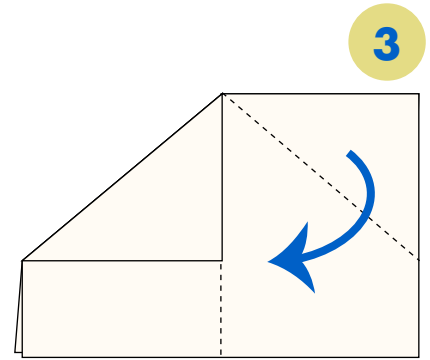
Print in colour and double-sided for best effect!



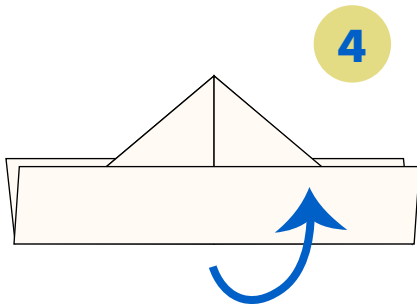
1
Fold in half



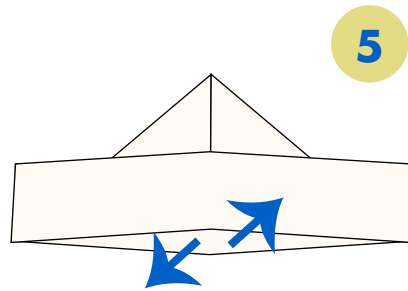
2
Fold in half again



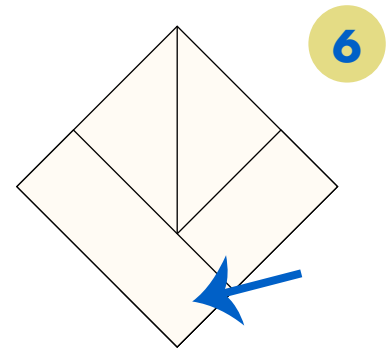
3
Fold in corners



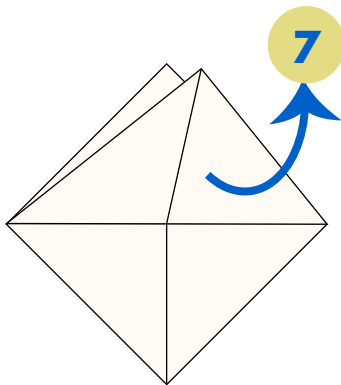
4
Fold up edges on both sides



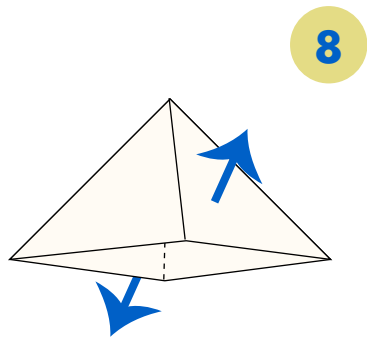
5
Put thumbs in middle and open out...



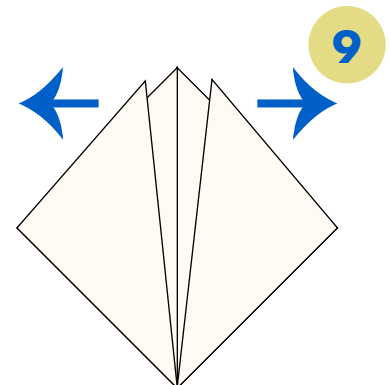
6
...until it makes a square.
Fold one corner under the other



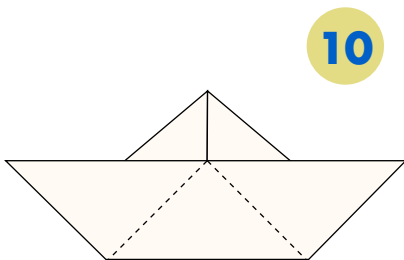
7
Fold up both sides



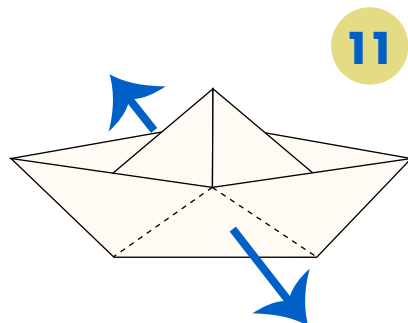
8
Put thumbs in middle and open out again...



9
...until it makes a square.
Pull corners out



10
And press flat



11
Open out to make it boat shape

